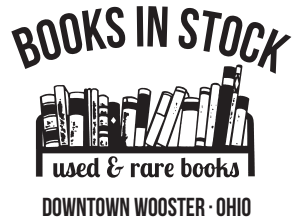
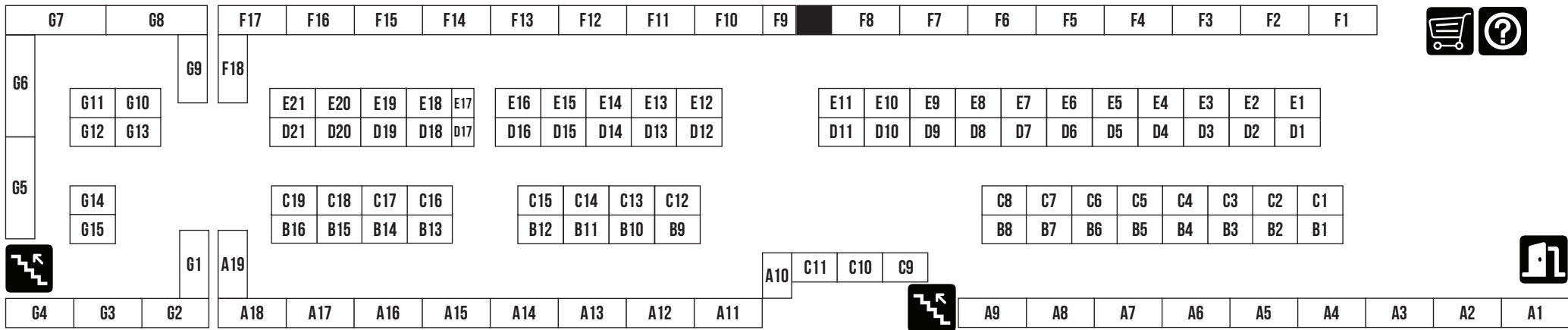


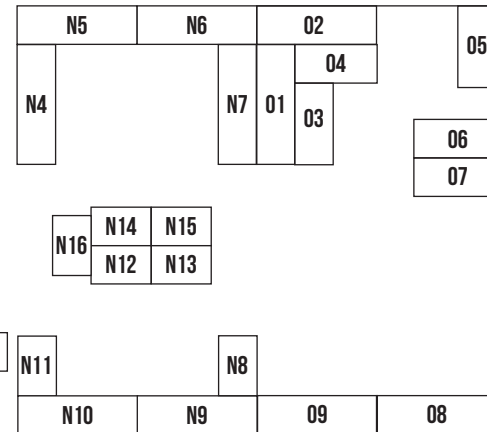
# GROUND FLOOR



M11

L10	L9	L8	L7	L6	L5	L4	L3	L2	L1
K10	K9	K8	K7	K6	K5	K4	K3	K2	K1

J10	J9	J8	J7	J6	J5	J4	J3	J2	J1
I10	I9	I8	I7	I6	I5	I4	I3	I2	I1



# 2ND FLOOR

ADVENTURE	L3-5
ANTIQUES / COLLECTIBLES	F3
ART	A18, B16
AUDIOBOOKS	C18-19
BIOGRAPHY	M4, L2
BUSINESS / ECONOMICS	H5, I4
CLASSICS	G2-4, G12-13
COOKBOOKS	A15-16, B14
CRAFTS	A13
CURRENT EVENTS	G5
DEVOTIONALS	I2
DIY	F12-13
EDUCATION	H9, I8
ENTERTAINMENT	H11
ESPIONAGE	M5, L5
ESSAYS / LIT-CRIT / LETTERS	F16, E21
FAMILY	N1-2
FICTION	A3-9, C1-17, D1-21
FOREIGN LANGUAGE	H9, I7
GAMES	F9
GARDENING	F13
GIFT BOOKS	B14
GRAPHIC NOVELS	A2
HEALTH	A11-12, B9
HISTORY-ANCIENT / MEDIEVAL	G9, G11
HISTORY-MILITARY	L6-8, M5-8
HISTORY-US	G6, G10
HISTORY-WORLD	G7-8, G11
HOLIDAYS	A12
HOLOCAUST	G6
HORROR	A13, B9-12
HUMOR	H10, I10
HYMNALS	I1

INSPIRATIONAL FICTION	M1
LARGE PRINT	F6
MEMOIR / HUMAN INTEREST	H7-8
METAPHYSICS	H6, I5
MODERN LIBRARY	G14
MOVIE & TV TIE-IN	E19
MUSIC	A15-16, B16
MYSTERY	F4-5, E1-9
MYTHOLOGY / FOLKLORE	F18, E21
NATIVE AMERICANS	A1
OCCULT	A1
OHIO	F2
OLD WEST	A1
OUTDOORS	M11
PETS	F14
PHILOSOPHY	F18, E21
PLAYS / THEATER	G4, G15
POETRY	G1, G15
PRESIDENTS	F16-17, E21
PSYCHOLOGY	H4, I3
RARE BOOKS	F1
REFERENCE	A19, B16
RELIGION	H1-3, I1
SCIENCE	F7-8, E11
SCI-FI / FANTASY	F15, E12-19
SCI-FI SERIES	E20
SELF HELP	H4, I3
SOCIOLOGY	M2-3, L1
SPECIAL AUTHORS	A10
SPORTS	L9-10, M9-10
STAR TREK	E20
STAR WARS	F15, E20
SUPREME COURT	G6

TRANSPORTATION	F10-11
TRAVEL-US	A14, B13
TRAVEL-WORLD	A14, B13
TRUE CRIME	F6, E10
THE UNEXPLAINED	H6, I5
WESTERN	B1-8
WICCA	A1
WOMEN'S STUDIES	M2, L1
YEARBOOKS	F2

SPECIAL AUTHORS	A10
ABBAY, EDWARD	
BACH, RICHARD	
BEAT WRITERS	
BERRY, WENDELL	
BRYSON, BILL	
HUBBARD, ELBERT / ROYCROFTERS	
MCPHEE, JOHN	
THOMPSON, HUNTER S.	
VAN LOON, HENDRIK WILLEM	
WIESEL, ELIE	

CHILDREN'S BOOKS	
ABRIDGED CLASSICS	N16
BOARD BOOKS	O5
DR. SEUSS	O6
EARLY READERS	N13
HOLIDAYS	O4
MOVIE & TV TIE-IN	N14, O7
NON-FICTION	O1-2, O8-9
PICTURE BOOKS	O2-3
POETRY	N14, O6
SCARY STORIES	N15
SERIES	N16
STORY COLLECTIONS	O6
Y/A FICTION	N4-11

ROMANCE NOVELS	
CONTEMPORARY	J1-6
EROTIC	K8
HARLEQUIN SERIES	J7-9
HISTORICAL	K1-8
INSPIRATIONAL	I1
PARANORMAL	K9
REGENCY	J8
SILHOUETTE SERIES	J10
ROMANTIC SUSPENSE	K10
CARTLAND, BARBARA	J10
HEYER, GEORGETTE	J10
HILL, GRACE LIVINGSTON	I2
LORING, EMILIE	I2
NEELS, BETTY	J10

**BOOKS IN STOCK**



DOWNTOWN WOOSTER · OHIO